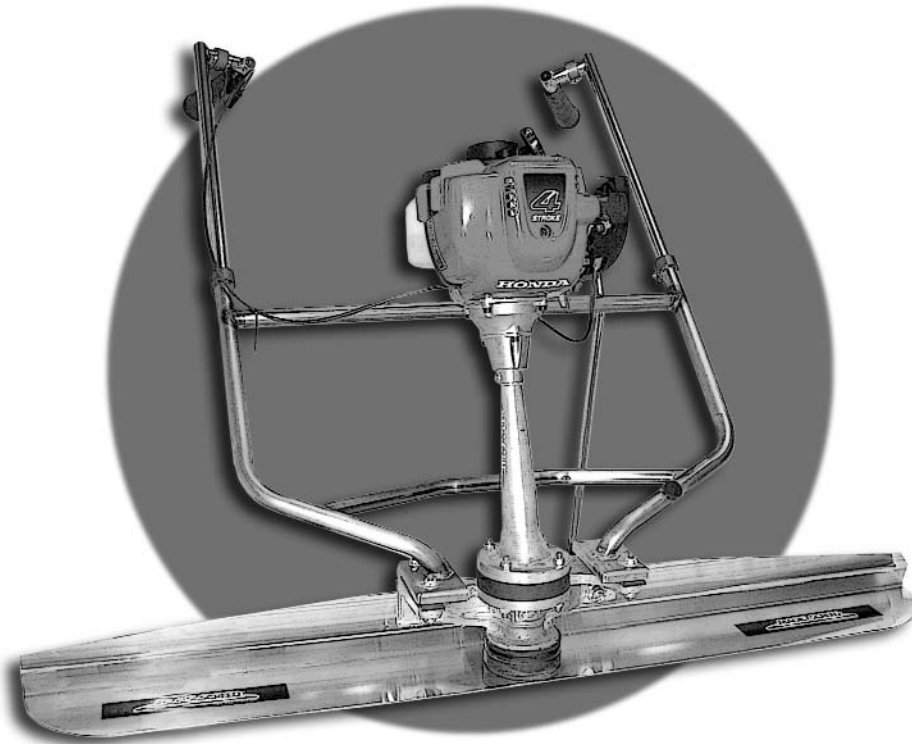


MAGIC SCREED®

www.magicscreed.com



PARTS BOOK & OWNER'S MANUAL



MAGIC SCREED PARTS BOOK & OWNER'S MANUAL

Congratulations on your selection of *Magic Screed*.

Magic Screed is manufactured for contractors and entrepreneurs in need of a dependable, user friendly, high productivity tool to operate for levelling and smoothing wet concrete. **Any other use of this tool could damage it or even cause injuries or death to the operator and surrounding cowerkers.**

Unfortunately, it is impossible to warn you about all the hazards associated with operating or maintaining a powered screed. **You must use your own good judgement.**

This manual and the *Honda* engine manual supplied with your *Magic Screed* should always remain with the equipment. *Safety* instructions, assembly, maintenance and parts lists are included.

For your own *safety*, and that of your cowerkers, it is required that anyone operating or servicing the screed, read and understand the safety instruction in this manual. **Failure** to do so could result in personal *injury, death or equipments damage.*

TABLE OF CONTENTS

| | |
|--------------------------------------|---------|
| Safety..... | p . . 3 |
| Service, cleaning and operation..... | p . . 4 |
| Assembly & starting procedure..... | p . . 5 |
| Warning logos on your screed | p . . 6 |
| Honda engine | p . . 6 |
| Magic screed assembly..... | p . . 7 |
| Parts book..... | p . . 8 |
| | p . . 9 |
| Magic screed parts assembly..... | p . 10 |
| | p . 11 |
| | p . 12 |
| | p . 13 |
| Air powered screed..... | p . 14 |
| Ec declaration of conformity..... | p . 15 |



SAFETY

- 1- Read and understand the owner's manual before operating or servicing the screed
- 2- Have a first aid kit available in case someone gets injured
- 3- Wear the appropriate safety gear (according to your local requirement)
Suggested list of protection gear

-  Hardhat
-  protective boots
-  protective goggles
-  gloves
-  hearing protection

- 3- **Carbon monoxide hazard:** Exhaust gas contains poisonous carbon monoxide. Avoid inhalation of exhaust gas. Never run the engine in a closed or confined area without proper ventilation

| ⚠ WARNING |
|---|
| Carbon monoxide gas is toxic. Breathing it can cause unconsciousness and even kill you. |
| Avoid any areas or actions that expose you to carbon monoxide. |



- 4- **Burns from hot parts:** Let the engine and exhaust system cool before touching.
- 5- Do not put your hands on any vibrating or moving parts.
- 6- **Refuelling:** refuel with care. Gasoline is extremely flammable, and gasoline vapor can explode. *Refuel outdoors, in a well-ventilated area, with the engine stopped.* Never smoke near gasoline, and keep flames and sparks away. Always store gasoline in an approved container. If any fuel is spilled, make sure the area is dry before starting the engine.

| ⚠ WARNING |
|---|
| Gasoline is highly flammable and explosive. |
| You can be burned or seriously injured when handling fuel. |
| <ul style="list-style-type: none">• Stop the engine and keep heat, sparks, and flame away.• Handle fuel only outdoors.• Wipe up spills immediately. |

Use unleaded gasoline with a pump octane rating of 86 or higher.

Transporting: if the engine has been running, allow it to cool off for at least 15 minutes before loading the screed on a transport vehicle. A hot engine and exhaust system can burn or can ignite some materials.



SERVICE, CLEANING AND OPERATION

HONDA ENGINES:

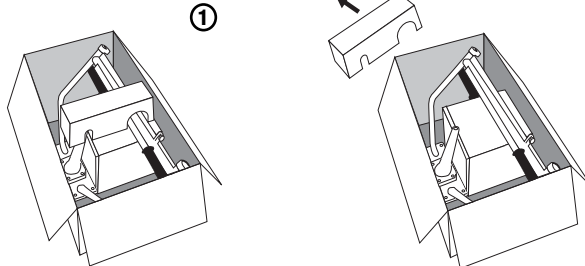
Refer to your Honda owner's manual.

1. Before cleaning, servicing or repairing your screed, stop the engine and wait for any moving parts to stop then remove the spark plug cap.
If the engine has been running, allow it to cool off for at least 15 to 20 minutes before cleaning with water.
2. **Grease:** the housing weight must be greased approximately every ten hours of operation. Do not *over grease*. An over flow **(1)** is located at the opposite side of the grease fitting **(2)** and must be cleaned before each greasing to prevent pressure from being applied by the grease on the bearing. Any such pressure could seize the bearing or damage your housing weight.
3. Your screed should be disassembled frequently for proper cleaning in order to prevent any concrete build-up that could **break or prematurely damage** your equipment. *Warranty does not cover damage or performance problems on your screed resulting from neglected maintenance or cleaning.*
4. Take apart the blade and clean any concrete accumulation.
5. Take apart the housing weight from the handles and clean the concrete underneath the handles and in the housing shaft.
6. Take the rubber cover off and clean any concrete or grease accumulation to allow the counterweight to move freely.
7. Put everything back together making sure that the plastic spacers are between the blade and the housing weight. Tighten the blade following the assembly procedure to 85 to 100 Lb.-Ft. torque it is very important that the plastic spacers are always between the vibrator and the blade.

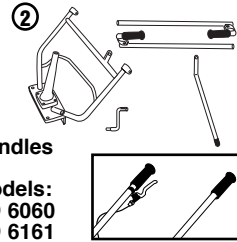


MAGIC SCREED ASSEMBLY & STARTING PROCEDURE

- 1- Take the protective foam out of the box.



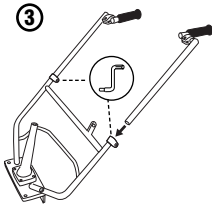
- 2- Remove both adjustable handles and the base handle (assembled with vibrator and housing shaft).



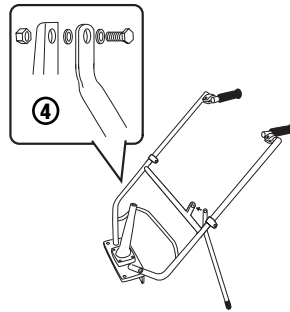
Handles
for
models:
HD 6060
HD 6161

- 3- Insert the adjustable handles into the base handle (throttle control on the right side) and tighten the collar. Do not overtighten.

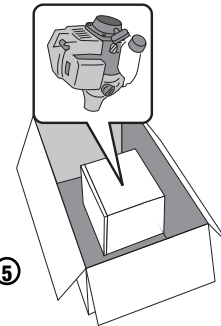
Note: If ordered with 360° adjustable handles, adjust and tighten to comfort.



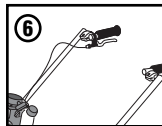
- 4- Stand
Place the stand with the flat side against the support, ensuring that one of the nylon washers is on each side of the stand (follow the drawing).



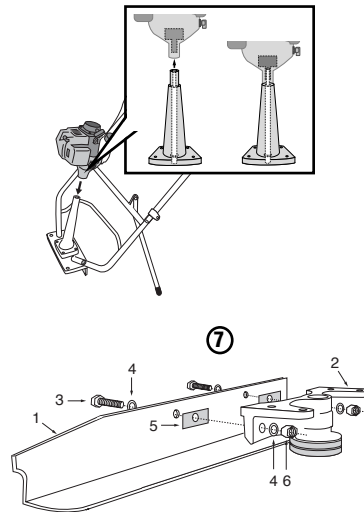
- 5- Assembly of the engine
Remove the engine from the protective foam. Place the engine on the housing shaft, make sure that the driveshaft is inserted in the clutch adaptor, and tighten. (Do not overtighten) (See drawing).



- 6- Put the rounded end of the throttle cable into the throttle control and adjust so that the rubber handle grip becomes the stopper.



- 7- Assembly of the blade
Assemble the blade (1) on the screed vibrator (2) in the following order: bolts (3), washers (4), blade (1), plastic spacers (5), washers (4), nuts (6). (See drawing). Tighten all the above at approximately **85 to 100 Lbs. torque**. **It is very important that the plastic spacers are always between the vibrator and the blade.** They are used as a cushion and prevent blade damage. If both are not in place, this could void the warranty. Replacement plastic spacers are available at your Magic Screed dealer.





Warning logos on your screed

Logo, explanation and label positioning:

1- Description label; left handle

| | | | |
|---|--------|------------|---------------|
| MAGIC SCREED 630 RUE DE L'ARGON Québec, (Québec) CANADA, G2N 2J6 | MODEL | HD 7070 | ENGINE ASSY. |
| | YEAR | 2006 | MASS 13.70 KG |
| | ENGINE | HONDA | RPM 8500 |
| | 35CC | GX 35 TMS3 | KW 1.1 KW |

2- Hot label; near exhaust system



3- Appropriate safety gear;
left handle



4- Stop engine before refuelling;
Gas tank



Honda

Model HD 6060, HD 6161, HD 7070, HD 7171 with *Honda engine*

Before starting your Honda engine, consult the **Honda owner's manual** supplied with your screed. **Keep this manual handy.**

Notes:

- The Honda engine on your screed is a 4-cycle engine. It requires unleaded gasoline. Consult your **Honda owner's manual, page 8.**
- The on/off switch is located on the left-hand side, under the carburator of the engine supplied with your screed.
- Warning:** there is no oil in the engine. To check oil level, consult the **Honda owner's manual, page 9.**

The complete starting procedure is in your **Honda owner's manual, pages 4.**

HONDA ENGINE

on/off switch





MAGIC SCREED POWER UNITS

- HD 6060 HONDA ENGINE WITH ADJUSTABLE HANDLES ON HEIGHT ONLY
- HD 6161 HONDA ENGINE WITH ADJUSTABLE HANDLES ON HEIGHT ONLY AND EXTRA VIBRO MOUNTS
- HD 7070 HONDA ENGINE WITH ADJUSTABLE HANDLES ON 360°
- HD 7171 HONDA ENGINE WITH ADJUSTABLE HANDLES ON 360° AND EXTRA VIBRO MOUNTS



BLADES

FITS ON ALL POWER UNITS

| FT | M | # |
|-----|------|------|
| 4' | 1.22 | 2050 |
| 6' | 1.80 | 2051 |
| 8' | 2.44 | 2052 |
| 10' | 3.00 | 2053 |
| 12' | 3.66 | 2054 |
| 14' | 4.27 | 2055 |
| 16' | 4.88 | 2056 |



*Other sizes available...

**Table of handling information
Weight & length of different components and assembly**

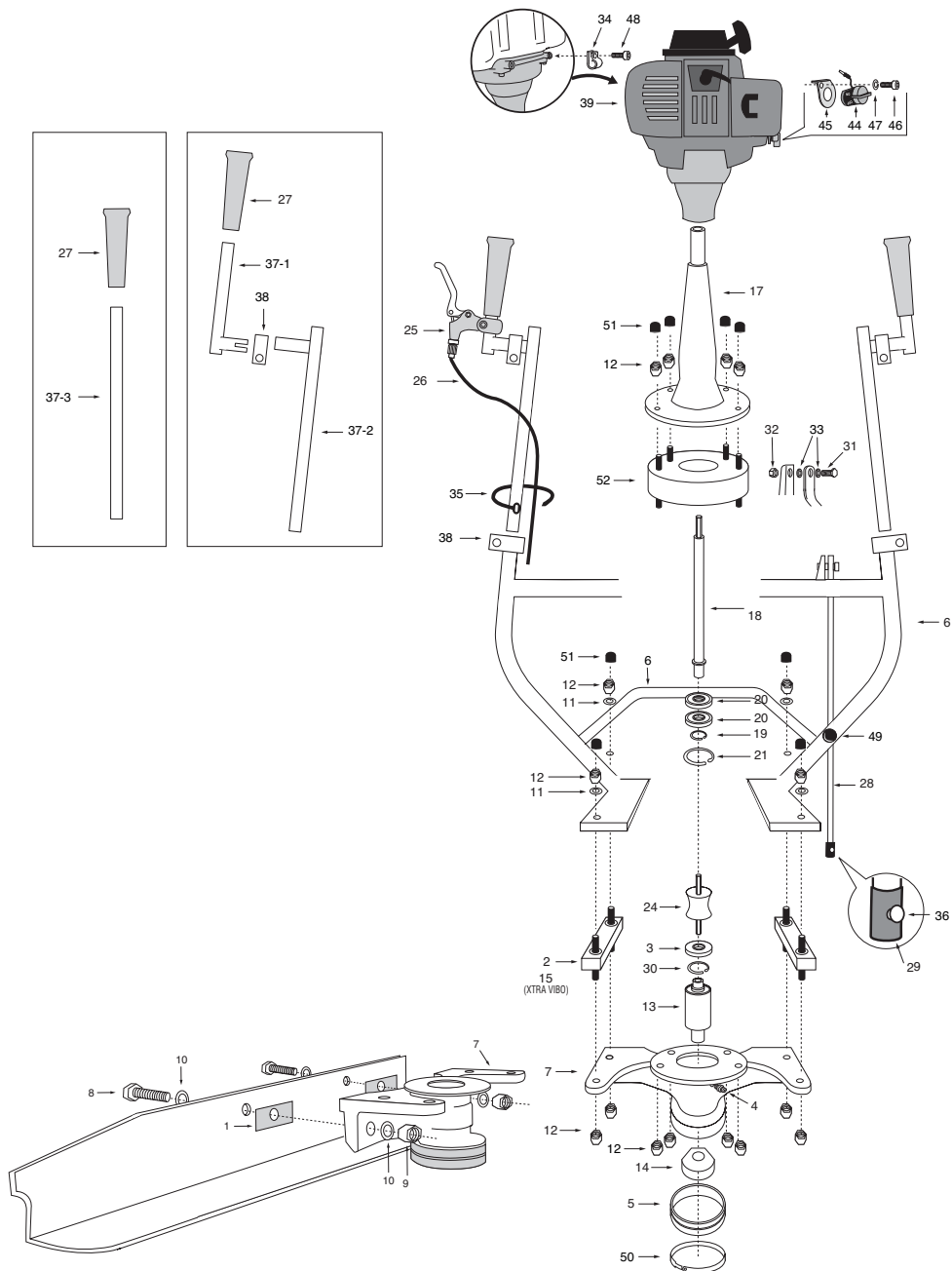
| BLADES | 2050 | | 2051 | | 2052 | | 2053 | | 2054 | | 2055 | | 2056 | |
|--------|------|-------|------|-------|------|-------|------|-------|------|-------|------|-------|------|-------|
| LENGTH | Feet | Meter | Feet | Meter | Feet | Meter | Feet | Meter | Feet | Meter | Feet | Meter | Feet | Meter |
| | | 4 | 1,22 | 6 | 1,8 | 8 | 2,44 | 10 | 3 | 12 | 3,66 | 14 | 4,27 | 16 |
| WEIGHT | LB | KG | LB | KG | LB | KG | LB | KG | LB | KG | LB | KG | LB | KG |
| | 6.7 | 3 | 10.1 | 4.6 | 13.4 | 6.1 | 16.8 | 7.63 | 20.2 | 9.16 | 23.5 | 10.68 | 26.9 | 11.77 |

MAGIC SCREED PARTS BOOK 2004 - **HONDA**

| DESCRIPTION | MODEL HD 6060 | | MODEL HD 6161 | | MODEL HD 7070 | | MODEL HD 7171 | |
|-----------------------------|---------------|------------|---------------|------------|---------------|-------------|---------------|-------------|
| | QTY | | QTY | | QTY | | QTY | |
| 1 PLASTIC SPACER | 2 | 10002 | 2 | 10002 | 2 | 10002 | 2 | 10002 |
| 2 VIBRO MOUNT | 2 | 10003 | | | 2 | 10003 | | |
| 3 SEAL | 1 | 10005 | 1 | 10005 | 1 | 10005 | 1 | 10005 |
| 4 GREASE FITTING | 1 | 10008 | 1 | 10008 | 1 | 10008 | 1 | 10008 |
| 5 RUBBER COVER | 1 | 10009-2 | 1 | 10009-2 | 1 | 10009-2 | 1 | 10009-2 |
| 6 HANDLES | 1 | 50004 | 1 | 50004 | 1 | 50004 | 1 | 50004 |
| 6 HANDLE HOLD STYLE | 1 | 10011-2 | 1 | 10011-2 | 1 | 10011-2 | 1 | 10011-2 |
| 7 HOUSING WEIGHT | 1 | 50003 | 1 | 50003 | 1 | 50003 | 1 | 50003 |
| 8 BOLT 1/2 | 2 | 10017 | 2 | 10017 | 2 | 10017 | 2 | 10017 |
| 9 NUT 1/2 | 2 | 10018 | 2 | 10018 | 2 | 10018 | 2 | 10018 |
| 10 WASHER 1/2 | 4 | 10019 | 4 | 10019 | 4 | 10019 | 4 | 10019 |
| 11 WASHER 8MM | 4 | 10023 | 4 | 10023 | 4 | 10023 | 4 | 10023 |
| 12 NUT 8MM | 16 | 10024 | 16 | 10024 | 16 | 10024 | 16 | 10024 |
| 13 SHAFT ASSY | 1 | 10026 | 1 | 10026 | 1 | 10026 | 1 | 10026 |
| 14 COUNTER WEIGHT | 1 | 10027 | 1 | 10027 | 1 | 10027 | 1 | 10027 |
| 15 XTRA VIBRO MOUNT | | | 2 | 11003 | | | 2 | 11003 |
| 17 HOUSING SHAFT | 1 | 50001 | 1 | 50001 | 1 | 50001 | 1 | 50001 |
| 18 DRIVE SHAFT | 1 | 20003-5050 | 1 | 20003-5050 | 1 | 20003-5050 | 1 | 20003-5050 |
| 19 CIRCLIP 13MM | 1 | 20004 | 1 | 20004 | 1 | 20004 | 1 | 20004 |
| 20 BEARING | 2 | 20005 | 2 | 20005 | 2 | 20005 | 2 | 20005 |
| 21 CIRCLIP 29MM | 1 | 20006 | 1 | 20006 | 1 | 20006 | 1 | 20006 |
| 24 DRIVE AXLE | 1 | 20009 | 1 | 20009 | 1 | 20009 | 1 | 20009 |
| 25 THROTTLE CONTROL | 1 | 20010 | 1 | 20010 | 1 | 20010 | 1 | 20010 |
| 26 THROTTLE CABLE | 1 | 20011 | 1 | 20011 | 1 | 20011-L | 1 | 20011-L |
| 27 GRIP | 2 | 20012 | 2 | 20012 | 2 | 20012 | 2 | 20012 |
| 28 STAND | 1 | 20013-1 | 1 | 20013-1 | 1 | 20013-1 | 1 | 20013-1 |
| 29 STAND RUBBER | 1 | 20014 | 1 | 20014 | 1 | 20014 | 1 | 20014 |
| 30 CIRCLIP 1 1/2 | 1 | 20016 | 1 | 20016 | 1 | 20016 | 1 | 20016 |
| 31 BOLT 1/4 | 1 | 20017 | 1 | 20017 | 1 | 20017 | 1 | 20017 |
| 32 NUT 1/4 | 1 | 20018 | 1 | 20018 | 1 | 20018 | 1 | 20018 |
| 33 6 MM NYLON FOR STAND | 2 | 20023 | 2 | 20023 | 2 | 20023 | 2 | 20023 |
| 34 THROTTLE CABLE CLIP | 1 | 20024 | 1 | 20024 | 1 | 20024 | 1 | 20024 |
| 35 TIE RAP | 1 | 20026 | 1 | 20026 | 1 | 20026 | 1 | 20026 |
| 36 POP 1/8 FOR STAND RUBBER | 1 | 20027 | 1 | 20027 | 1 | 20027 | 1 | 20027 |
| 37 ADJ. HDL.SLIP ON SECTION | 20032-1▲ | | | | | OLD STYLE ■ | | OLD STYLE ■ |
| 37-1 ADJ. HDL.GRIP SECTION | | | | | 2 | 20032-2 | 2 | 20032-2 |
| 37-2 ADJ. HDL.LONG SECTION | | | | | 2 | 20032-3 | 2 | 20032-3 |
| 37-3 TOP SECTION HANDLES | 2 | 20032-4 | 2 | 20032-4 | | | | |
| 38 CLIP FOR HANDLES | 2 | 20033 | 2 | 20033 | 4 | 20033 | 4 | 20033 |
| 39 HONDA ENG. GX 35 TSM3 | 1 | 50000 | 1 | 50000 | 1 | 50000 | 1 | 50000 |
| 44 ON OFF SWITCH HONDA | 1 | 40005 | 1 | 40005 | 1 | 40005 | 1 | 40005 |
| 45 SWITCH BRACKET HONDA | 1 | 40006 | 1 | 40006 | 1 | 40006 | 1 | 40006 |
| 46 BOLT FOR 40006 | 1 | 40007 | 1 | 40007 | 1 | 40007 | 1 | 40007 |
| 47 LOCK FOR 40008 | 1 | 40008 | 1 | 40008 | 1 | 40008 | 1 | 40008 |
| 48 BOLT FOR 20024 HONDA | 1 | 40010 | 1 | 40010 | 1 | 40010 | 1 | 40010 |
| 49 STAND BUMPER | 1 | 20035 | 1 | 20035 | 1 | 20035 | 1 | 20035 |
| 50 TIE RAP | 1 | 20040 | 1 | 20040 | 1 | 20040 | 1 | 20040 |
| 51 CAP FOR 50002 | 8 | 50005 | 8 | 50005 | 8 | 50005 | 8 | 50005 |
| 52 ANTI VIBRATION SEAL | 1 | 50002 | 1 | 50002 | 1 | 50002 | 1 | 50002 |



HONDA





MAGIC SCREED PARTS ASSEMBLY

DA 4050 THROTTLE CABLE ASSEMBLY STANDARD

| PART NUMBER | QTY | DESCRIPTION |
|-------------|-----|------------------|
| 20011 | 1 | THROTTLE CABLE |
| 20010 | 1 | THROTTLE CONTROL |
| 20026 | 1 | TIE RAP |



DA 4051 THROTTLE CABLE ASSEMBLY LONG

| PART NUMBER | QTY | DESCRIPTION |
|-------------|-----|---------------------|
| 20011-L | 1 | THROTTLE CABLE LONG |
| 20010 | 1 | THROTTLE CONTROL |
| 20026 | 1 | TIE RAP |



DA 4055 RUBBER COVER ASSEMBLY

| PART NUMBER | QTY | DESCRIPTION |
|-------------|-----|--------------|
| 10009-2 | 1 | RUBBER COVER |
| 20040 | 1 | TIE RAP |



DA 4057 GRIP ASSEMBLY

| PART NUMBER | QTY | DESCRIPTION |
|-------------|-----|---------------|
| 20012 | 1 | GRIP SET OF 2 |



DA 4059 VIBRO MOUNTS

| PART NUMBER | QTY | DESCRIPTION |
|-------------|-----|--------------|
| 10003 | 2 | VIBRO MOUNTS |
| 10024 | 8 | NUT 8 MM |
| 10023 | 4 | WASHER 8 MM |



DA 4059-X X-TRA VIBRO MOUNTS

| PART NUMBER | QTY | DESCRIPTION |
|-------------|-----|--------------------|
| 11003 | 2 | X-TRA VIBRO MOUNTS |
| 10024 | 8 | NUT 8 MM |
| 10023 | 4 | WASHER 8 MM |



DA 4061 BOLT & NUT 1/2

| PART NUMBER | QTY | DESCRIPTION |
|-------------|-----|----------------|
| 10018 | 2 | NUT 1/2 |
| 10017 | 2 | BOLT 1/2 |
| 10019 | 4 | WASHER 1/2 |
| 10002 | 2 | PLASTIC SPACER |



DA 4064 BEARING FOR DRIVE SHAFT

| PART NUMBER | QTY | DESCRIPTION |
|-------------|-----|---------------|
| 20005 | 2 | BEARING |
| 20004 | 1 | CIRCLIP 13 MM |
| 20006 | 1 | CIRCLIP 29 MM |





DA 4067 BEARING FOR HOUSING WEIGHT

| PART NUMBER | QTY | DESCRIPTION |
|-------------|-----|-----------------|
| 10026 | 1 | SHAFT ASSY |
| 20016 | 1 | SNAP RING 38 MM |
| 10005 | 1 | SEAL |
| 10008 | 1 | GREASE FITTING |



DA 4070 SECONDARY LIFTING HANDLE (HD 4040 HD 5050)

| PART NUMBER | QTY | DESCRIPTION |
|-------------|-----|--------------------------|
| 20036 | 1 | SECONDARY LIFTING HANDLE |



DA 4073 ENGINE ADAPTOR GX 31

| PART NUMBER | QTY | DESCRIPTION |
|-------------|-----|----------------------|
| 40001 | 1 | ENGINE ADAPTOR GX 31 |
| 40003 | 1 | SNAP RING |
| 40002 | 1 | BOLT FOR 40001 |
| 40004 | 1 | LOCK FOT 40002 |



DA 4077 DRIVE AXLE

| PART NUMBER | QTY | DESCRIPTION |
|-------------|-----|-------------|
| 20009 | 1 | DRIVE AXLE |



DA 4080 DRIVE SHAFT ASSEMBLY HONDA

| PART NUMBER | QTY | DESCRIPTION |
|-------------|-----|-------------------|
| 20003-5050 | 1 | DRIVE SHAFT HONDA |
| 20005 | 2 | BEARING |
| 20006 | 1 | SNAP RING 29 MM |
| 20004 | 1 | SNAP RING 13 MM |



DA 4081 DRIVE SHAFT ASSEMBLY ROBIN

| PART NUMBER | QTY | DESCRIPTION |
|-------------|-----|-------------------|
| 20003-2020 | 1 | DRIVE SHAFT ROBIN |
| 20005 | 2 | BEARING |
| 20006 | 1 | SNAP RING 29 MM |
| 20004 | 1 | SNAP RING 13 MM |



DA 4082 DRIVE SHAFT ASSEMBLY HONDA XTRA VIBO HD 5151 HD 4141

| PART NUMBER | QTY | DESCRIPTION |
|-------------|-----|-----------------------------|
| 21003-5151 | 1 | DRIVE SHAFT HONDA XTRA VIBO |
| 20005 | 2 | BEARING |
| 20006 | 1 | SNAP RING 29 MM |
| 20004 | 1 | SNAP RING 13 MM |





DA 4088 STAND ASSEMBLY

| PART NUMBER | QTY | DESCRIPTION |
|-------------|-----|------------------|
| 20013-1 | 1 | STAND |
| 20018 | 1 | NYLON NUT 1/4 |
| 20023 | 2 | NYLON WASHER 1/4 |
| 20017 | 1 | BOLT 1/4 |
| 20014 | 1 | STAND RUBBER |
| 20027 | 1 | RIVET |
| 20035 | 1 | STAND BUMPER |



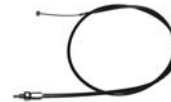
DA 4090 THROTTLE CABLE FOR ADJ. HANDLE

| PART NUMBER | QTY | DESCRIPTION |
|-------------|-----|-------------------------------------|
| 20011-L | 1 | THROTTLE CABLE LONG W./ ADJUSTEMENT |



DA 4091 THROTTLE CABLE SHORT

| PART NUMBER | QTY | DESCRIPTION |
|-------------|-----|--------------------------------|
| 20011 | 1 | THROTTLE CABLE W./ ADJUSTEMENT |



DA 4095 THROTTLE CABLE FOR ADJ. HANDLE BAG OF 10

| PART NUMBER | QTY | DESCRIPTION |
|-------------|-----|-------------------------------------|
| 20011-L | 10 | THROTTLE CABLE LONG W./ ADJUSTEMENT |



DA 4096 THROTTLE CABLE SHORT BAG OF 10

| PART NUMBER | QTY | DESCRIPTION |
|-------------|-----|--------------------------------|
| 20011 | 10 | THROTTLE CABLE W./ ADJUSTEMENT |



DA 4097 ALLEN 6 MM 5 MM

| PART NUMBER | QTY | DESCRIPTION |
|-------------|-----|-----------------|
| 10056 | 1 | ALLEN 6 MM 5 MM |



DA 4098 TIE RAP FOR 10009-2

| PART NUMBER | QTY | DESCRIPTION |
|-------------|-----|-------------|
| 20040 | 10 | TIE RAP |



DA 4099

| PART NUMBER | QTY | DESCRIPTION |
|-------------|-----|---------------------|
| 20026 | 10 | TIE RAP FOR HANDLES |





DA 4100

| PART NUMBER | QTY | DESCRIPTION |
|-------------|-----|---------------------|
| 50002 | 1 | ANTI VIBRATION SEAL |
| 10024 | 8 | NUT 8 MM |



DA 4101

| PART NUMBER | QTY | DESCRIPTION |
|-------------|-----|------------------|
| 50005 | 8 | CAP FOR 8 MM NUT |



DA 4102 HOUSING WEIGHT ASSEMBLY

| PART NUMBER | QTY | DESCRIPTION |
|-------------|-----|------------------------|
| 10002 | 2 | PLASTIC SPACER |
| 10005 | 1 | SEAL |
| 10008 | 1 | GREASE FITTING |
| 10009-2 | 1 | RUBBER COVER |
| 10017 | 2 | BOLT 1/2 NF X 1" 3/4 |
| 10018 | 2 | NUT 1/2 NF |
| 10019 | 4 | WASHER 1/2 |
| 10026 | 1 | SHAFT ASSEMBLY |
| 10027 | 1 | COUNTER WEIGHT |
| 20016 | 1 | CIRCLIP 38 MM |
| 20040 | 1 | TIE RAP HOUSING WEIGHT |
| 50003 | 1 | HOUSING WEIGHT |



DA 4103 HOUSING SHAFT ASSEMBLY

| PART NUMBER | QTY | DESCRIPTION |
|-------------|-----|-------------------------|
| 20003-5050 | 1 | DRIVE SHAFT FOR HD-5050 |
| 20004 | 1 | CIRCLIP 13 MM |
| 20005 | 2 | BEARING |
| 20006 | 1 | CIRCLIP 29 MM |
| 50001 | 1 | HOUSING SHAFT |



DA 4104 BOLT AND LOCK 5/16

| PART NUMBER | QTY | DESCRIPTION |
|-------------|-----|------------------|
| 20007 | 4 | BOLT 5/16 |
| 20008 | 4 | LOCK WASHER 5/16 |





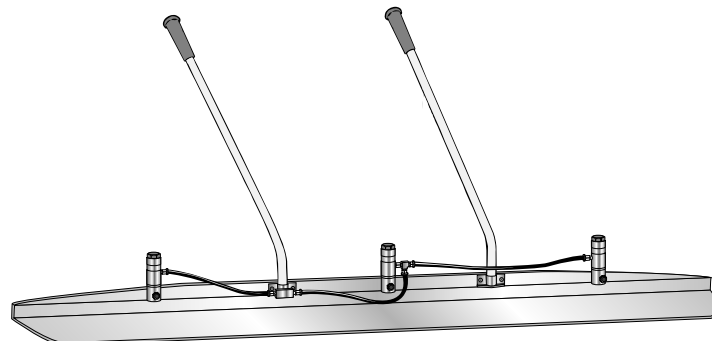
AIR SCREED PARTS

- RR-1015 VIBRATOR ASSEMBLY
- RR-1016 VIBRATOR REDUCING FITTING
- RR-1018 HANDLE BOLT & NUT
- RR-1019 TEE CONNECTOR FITTING
- RR-1020 AIR HANDLE MAIN SECTION
- RR-1020-1 AIR HANDLE ASSEMBLY
- RR-1021 AIR VALVE ASSEMBLY
- 20012 RUBBER HANDLE (SET OF TWO)
- RR-1023 AIR HANDLE EXTENTION 5 "
- RR-1032 HANDLE L.H.
- RR-1045 AIR MANIFOLD ASSEMBLY
- RR-1070 1/4 HOSE FITTING
- RR-1222 PNEUMATIC HOSE 3/8 (BY THE FEET)
- RR-1222-M PNEUMATIC HOSE 3/8 (BY METER)
- RR-1072 BOLT 1/2 NF X 2 1/2
(USE 10018 & 10019)
- RR-1073 1/4 PLUG

AIR POWERED SCREED

| M | FT | # | BLADES | VIBRATOR |
|------|-----|------|--------|----------|
| 1.22 | 4' | R3 | 1011 | 2 |
| 1.80 | 6' | R2-6 | 1009 | 2 |
| 2.44 | 8' | R2 | 1010 | 3 |
| 3.00 | 10' | R4 | 1012 | 4 |
| 3.66 | 12' | R5 | 1013 | 5 |

*** Must use a 25 cfm air compressor at 100 psi**





4795 rue Louis-B.-Mayer
Laval, Quebec
Canada H7P 6G5

Sales Office

Tel.: 1 (450) 978-0200
Fax: 1 (450) 682-6654

Plant

Tel.: 1 (418) 849-5037
Fax: 1 (418) 849-0501

Visit our Web site:

www.magicscreed.com

E-Mail:

info@magicscreed.com